



SPECIFICATION SHEET

FR SERIES ELECTRIC

FR-E 25/35: 25,000 - 35,000 LBS. (11 - 16 TONNES)

REV012017



FR-E 25-35 SERIES: STANDARD & OPTIONAL EQUIPMENT

Operator Cab

- Meets ANSI B56.1 FOPS operator protection
- Left-hand operator position for optimal line of sight
- Rubber-mounted cab isolated from the frame to reduce noise and vibration
- Overhead guard provides safety without obstructing views
- Low, non-skid steps for safe and easy entry/exit
- Adjustable semi-suspension seat and retractable seat belts
- Onboard Load Calculator provides capacities for forks and boom for all counterweight slab variations and chassis extension positions
- Master digital display unit provides all data
- Soft-touch hydraulic levers
- Tilt-steering column
- Spring-apply/hydraulic-release parking brake
- Hydraulic weight scale

Mast & Carriage

- Quick-Change Fork System for quick connect/disconnect of attachments
- Heavy-duty mast rails provide visibility and full capacity at maximum lift heights
- High-strength adjustable composite wear pads on boom
- Main and side thrust rollers are impact-resistant and designed to reduce friction
- Greaseable mast pivots constructed with wear-resistant bronze bushings and hardened steel pins
- Safety valve built into base of lift cylinder securely holds load in event of hose failure
- Chrome-plated cylinder rods

Power

- 72V-80V AC drive motor
- Heavy-duty isolation anti-vibration motor mounts
- Onboard charger for opportunity charging
- Color-coded wiring harness with split-tube loom wrap
- Sealed Weather Pack connectors

Hydraulic

- Hydrostatic drive pump with external charge pump and filter for easy maintenance
- O-ring seal fittings system wide to prevent oil leaks
- Tilt-lock counterbalance valve to prevent mast drift
- Large hydraulic tank cleanup cover
- Easy access filter for quick replacement
- Hydraulic multi-gauge provides quick and easy pressure readings with a twist of the dial; eliminates the need to tap into hydraulic lines

Strength

- Planetary drives rated for durability in high-capacity, high-torque applications
- Double reduction gearing for increased torque
- Precision ground, heat-treated gears

Industrial Steer Axle

- Thick top plate on welded beam steer axle provides added strength
- Highly maneuverable in tight areas
- Dual-action bolt-on cylinder is protected by heavy steel support beams and provides effortless power steering
- Lower maintenance costs due to minimal amount of moving parts
- Easy-access lubrication points
- Tapered roller bearings
- High-impact greaseable composite trunnions

Paint/Finish

- Two-part rust-inhibiting polyurethane base coat and two-part polyurethane top coat for corrosion protection
- Majority of components are powder-coated, which is up to 10 times thicker than traditional spray paint resulting in greater scratch and chip resistance
- Environmentally friendly; produces virtually no VOC's

Serviceability

- Hinged panels and hoods supported by gas shocks to reach entire drivetrain, hydraulics and filters
- Hydraulic multi-gauge provides quick and easy pressure readings with a twist of the dial, eliminating the need to tap into individual hydraulic lines
- Every component sourced from a reputable vendor or manufactured by Hoist Liftruck providing cost savings and rapid parts availability

Optional Equipment & Features

- Remote control for all vehicle functions
- Fire extinguisher
- Single- or dual-camera/monitor packages
- Additional two-stage mast options for increased lift heights
- Side-shifting, independent fork positioner (SS/FP)
- Boom attachments: hooks, shackles, swivels and more
- Lifting ring assemblies (slides over boom for 2 pc. picks)
- Additional work lights
- "Blue spot" Safety light

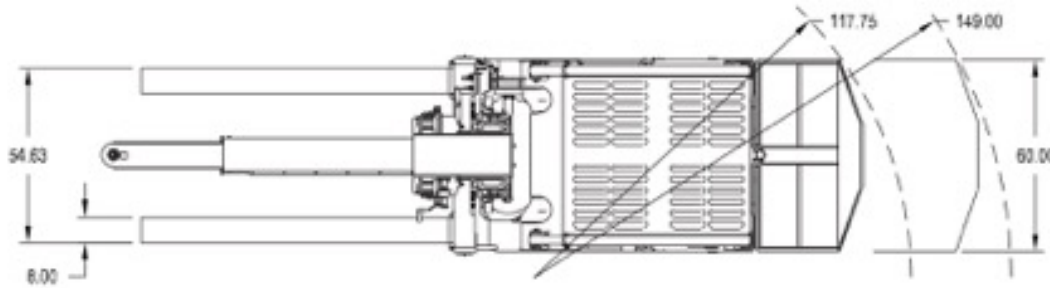
Note: Specifications in this document apply to standard equipment. Actual specifications and performance may vary depending on custom specifications, equipment condition and operating environment. Specific applications should be reviewed with a Hoist Liftruck representative.

4407 RailRoad Ave | East Chicago, IN 46312 | 708.458.2200 | hoistlift.com



FR-E SERIES 25/35 ELECTRIC

25,000/35,000 LBS. (11-16 TONNES)



WEIGHTS - LBS (KG)

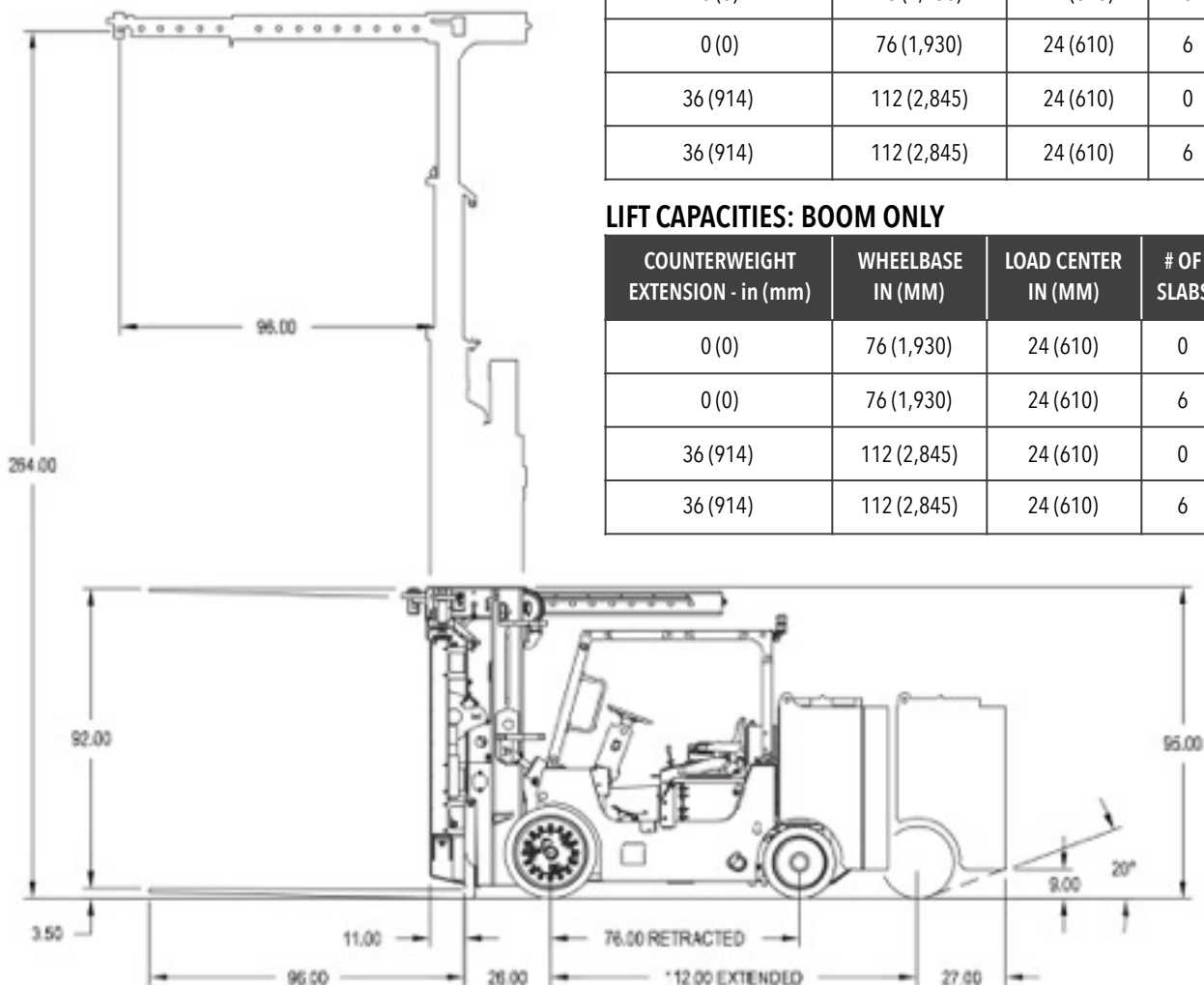
REMOVEABLE COUNTERWEIGHT
6,720 (3,048)
BOOM
3,250 (1,474)
FORKS
1,700 (771)
TOTAL
36,350(16,488)

LIFT CAPACITIES: FORKS ONLY

COUNTERWEIGHT EXTENSION - in (mm)	WHEELBASE IN (MM)	LOAD CENTER IN (MM)	# OF SLABS	LIFT CAPACITY LBS (KG)
0 (0)	76 (1,930)	24 (610)	0	16,500 (7,484)
0 (0)	76 (1,930)	24 (610)	6	24,500 (11,113)
36 (914)	112 (2,845)	24 (610)	0	24,200 (10,977)
36 (914)	112 (2,845)	24 (610)	6	36,200 (16,420)

LIFT CAPACITIES: BOOM ONLY

COUNTERWEIGHT EXTENSION - in (mm)	WHEELBASE IN (MM)	LOAD CENTER IN (MM)	# OF SLABS	LIFT CAPACITY LBS (KG)
0 (0)	76 (1,930)	24 (610)	0	12,500 (5,670)
0 (0)	76 (1,930)	24 (610)	6	19,000 (8,618)
36 (914)	112 (2,845)	24 (610)	0	18,700 (8,482)
36 (914)	112 (2,845)	24 (610)	6	28,300 (12,857)



Note: Specifications in this document apply to standard equipment. Actual specifications and performance may vary depending on custom specifications, equipment condition and operating environment. Specific applications should be reviewed with a Hoist Liftruck representative.

4407 RailRoad Ave | East Chicago, IN 46312 | 708.458.2200 | hoistlift.com

